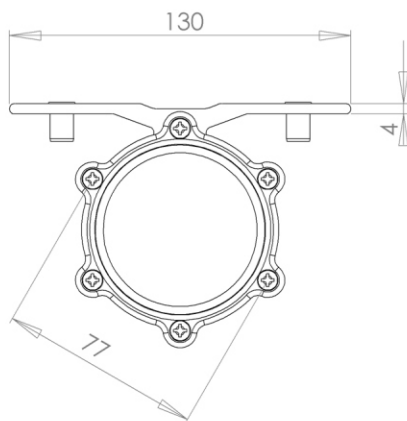
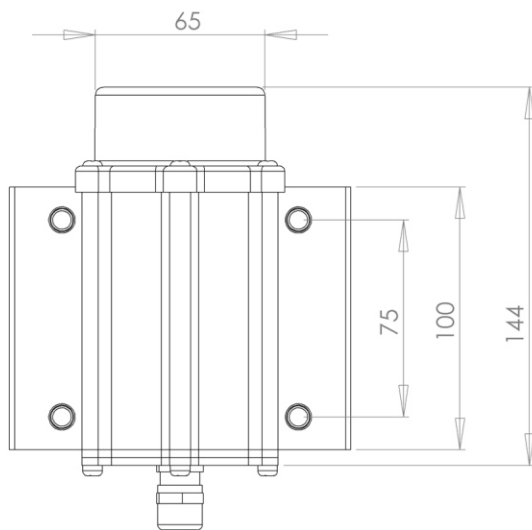


ICAO LOW INTENSITY OBSTACLE LIGHT

LED TECHNOLOGY



COMPLIANCE WITH STANDARDS

Complies with ICAO Annex 14, Volume 1, Aerodrome Design and Operations, Paragraph 6, Table 6.3 Low Intensity Obstacle Light Type A and B and FAA Advisory Circular AC 150/5345-43 L-810.

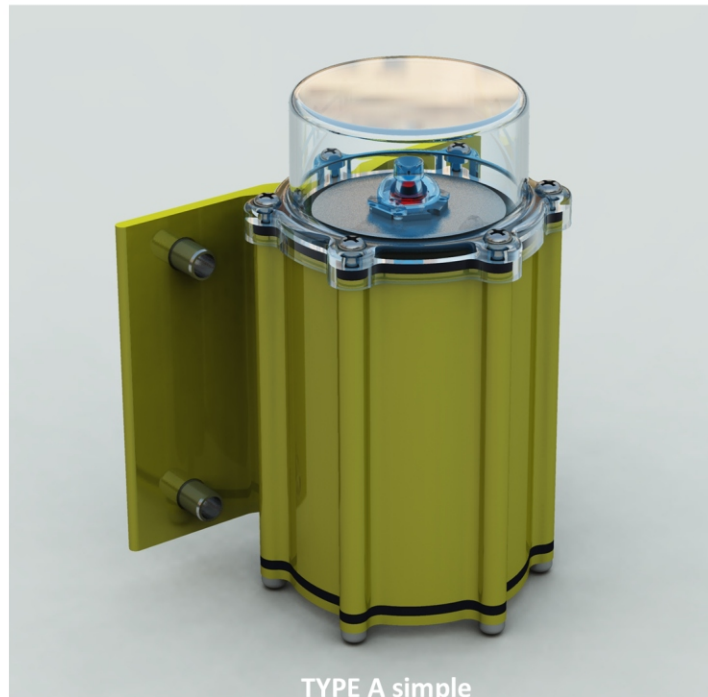
APPLICATION

Low intensity obstacle lights are used for lighting of aeronautical obstacles less than 45 meters high, typically objects and constructions such as buildings, antennas, towers and airport boarding bridges.

SOLAR PANEL POWER SUPPLY

Thanks to the very low power consumption, our lights can be powered by Solar Panels and be totally autonomous without any connection to the mains. The Solar Power System includes a high efficiency PV panel mounted on an aluminium frame, charge regulator with build-in day/night switch, deep cycle low-maintenance battery, polyester housing for battery and regulator.

To determine size and type of equipment, please inform on latitude/longitude of installation and configuration of obstacle lighting system.



TYPE A simple

Choose the full specification for products required according to the following:

- AL-OBS-05-XXX - type A simple
- AL-OBS-06-XXX - type A double
- AL-OBS-07-XXX - type B simple

XXX - OPERATING VOLTAGE

- 230 - 230 Vac
- 110 - 110 Vac
- 012 - 12 Vdc



MOUNTING AND CABLING

Standard mounting is performed using the bracket incorporated in the light fixture body; suitable for direct attachment on a vertical surface with M6 screws.

An optional set of brackets is available for mounting on tubes with outer diameter between 30 and 70 mm. The light fixture is provided with a nickel plated brass compression gland. The product comes with power supply cable L = 2 m outdoor industrial hard-working type.

TECHNICAL CHARACTERISTICS:

	TYPE A simple	TYPE A double	TYPE B
LIGHT INTENSITY	HIGHER THAN 10 cd	HIGHER THAN 10 cd	HIGHER THAN 32.5 cd
LIGHT COLOR	AVIATION RED	AVIATION RED	AVIATION RED
HORIZONTAL RADIATION PATTERN	360 deg	360 deg	360 deg
NOMINAL OPERATING VOLTAGE	230 or 110 Vac, 12 Vdc	230 or 110 Vac, 12 Vdc	230 or 110 Vac, 12 Vdc
POWER CONSUMPTION	1.5 W	1.5w or max 3 W	4.5 W
HEIGHT	144 mm	144 mm	144 mm
DIAMETER	70 mm	70 mm	70 mm
WEIGHT	LESS THAN 1kg	LESS THAN 1kg	LESS THAN 1kg
DEGREE OF PROTECTION	IP 67	IP 67	IP 67
No OF LEDS	1 Luxeon	2 Luxeon	3 Luxeon
STAINLESS STEEL SCREWS	YES	YES	YES
COLORLESS POLYCARBONATE COVER	YES	YES	YES
ANODISED ALUMINIUM BODY	YES	YES	YES
RAL 1004 POWDER PAINT BODY	YES	YES	YES
2 INDEPENDENT CIRCUITS	NO	YES	NO
EXCLUSIVE LIGHT CONTROLLER	NO	YES	NO